

# FAOLCHÚ



I.



II.

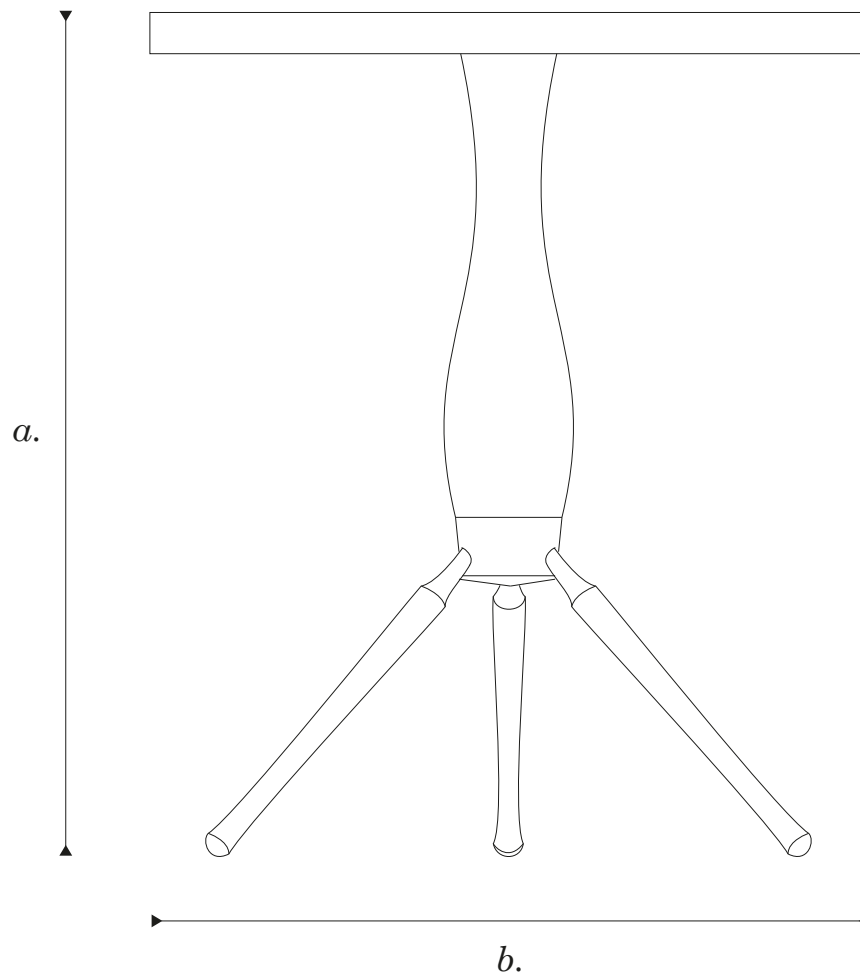
Cuan, End Table

## Cuan, End Table

Cuban mahogany top, turned walnut pedestal with turned blackened brass legs.

I. Walnut  
II. Fumed oak

Hand finished with natural oils and wax.



*a.* 520  
*b.* 440