

FAOLCHÚ



I.



II.



III.

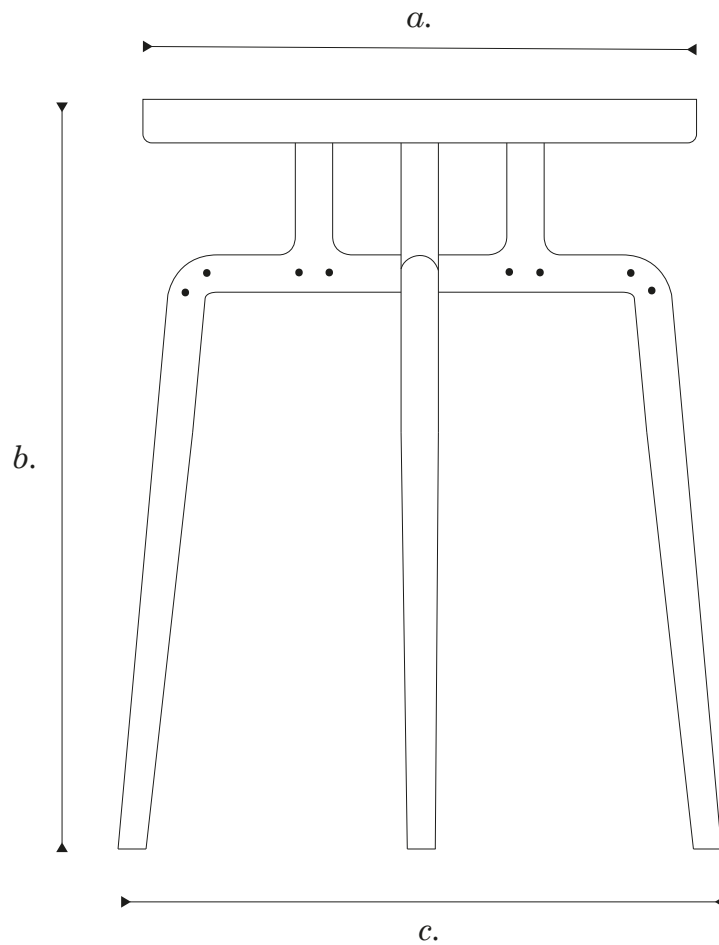
Lusan End Table

Lusan End Table

Turned, bleached Scottish holly top, turned and hand sculpted base with brass dowels. Custom brass adjustable feet.

- I. Walnut, bleached holly, oak, mahogany
- II. Bleached holly
- III. Oxidised elm

Hand finished with natural oils and wax.
Brass, natural or blackened.



a. 405
b. 520
c. 415